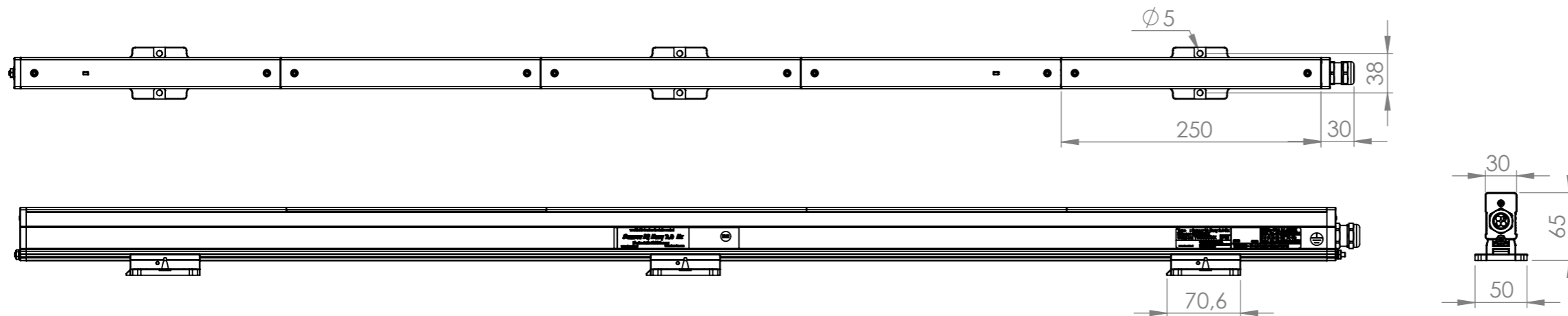


The configuration of the Sensor Easy Ex 2.0 bar contains:

1. The bar with the requested amount of possible segment positions, with bay pcb's for the segments mounted in the bar on the requested segment position(s) (with the connection cable from bay to the Barrier box(es)).
2. The requested amounts of segments (1 - 8)
3. The dummy covers for the positions without segments.
4. One or two Barrier Boxes (One for 1 - 4 segments, two for 5 - 8 segments), connected to the bay cables.

The segment/bay assemblies (0232000100), the dummy cover assemblies (0232000200) and the Barrier box(es) (see drawing 02320010) must be ordered seperately.

The segment assemblies will be send in a seperate box (due to break risk) and must be mounted on site (easy mounting, see the mounting instruction drawing 02320500). The dummy covers will be mounted by Simco.



EX CERTIFIED PRODUCT
No modifications permitted
without reference to the
"authorised person" **R**

See drawing 02320010 for extra information

SIMCO ION An ITW Company WWW.SIMCO-ION.NL TEL: +31 (0)573 288333	Name: Sensor Easy Ex 2.0				Drawn: RJ	Part no.:		
	CAD GENERATED NOT AUTO UPDATED	Dimensions in mm	Date: 29-12-2021	A3	M: 1:5	ECN-0232	Check: AB	Dwg. no.: 02320000/A